

UNIVERSAL SPIRAL AIR

Manufacturer of Spiral, Oval and Rectangular Duct Systems



Oval Duct & Fittings

West Branch:
2735 West River Dr. NW
Walker, MI 49544
PH: (616) 475-5905
Fax: (616) 475-6433
E-mail: sales@usaduct.com

East Branch:
37050 Plymouth Rd.
Livonia MI 48150
PH: (734) 261-0410
Fax: (734) 261-0435
E-mail: detsales@usaduct.com



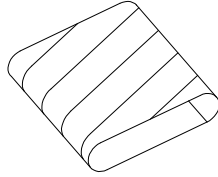
UNIVERSAL SPIRAL AIR

Manufacturer of Spiral, Oval and Rectangular Duct Systems

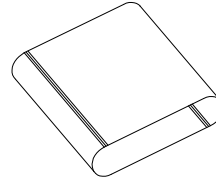
West Branch: 2735 West River Dr. NW, Walker, MI 49544
616-475-5905 Fax: 616-475-6433 Email: sales@usaduct.com

East Branch: 37050 Plymouth Rd., Livonia MI 48150
734-261-0410 Fax: 734-261-0435 Email: detsales@usaduct.com

Sample of the Singlewall Oval Submittal



Spiral Seam



Longitudinal Seam

Flat Oval Pipe

USA Flat Oval duct is made with spiral lockseam construction and fabricated from galvanized steel which meets ASTM A527 standards, in accordance with the latest edition of SMACNA gauges and construction standards. USA Longitudinal Seam Flat Oval duct, in 5 foot lengths, can be provided for oval sizes outside of USA's available sizes.

Flat Oval Fittings

USA Flat Oval fittings are manufactured within our available sizes and have an overlap type joint that can be spot welded, riveted, or fully welded. Seams are sealed inside the fitting with an industry approved sealant. Depending of length of flat section, internal supports are added to maintain the flat oval shape. Fittings will be fully welded, where required, or if oval sizes are not within USA's available sizes.

Standard Material & Pipe Length

Material	Thickness	Type	Spiral Length
Galvanized	26 – 16 Gauge	G60-G90	1' cut up to 10' – 6' Standard
Galvaneal (Paint Grip)	24 – 18 Gauge	A60	1' cut up to 10' – 6' Standard
PCD	24 – 18 Gauge	4x1, 4x4	1' cut up to 10' – 6' Standard
Aluminum	.032 - .050	3003 H-14	1' cut up to 10' – 6' Standard
Stainless Steel	24 – 20 gauge	304 or 316	1' cut up to 10' – 6' Standard

Flat Oval Construction

(Flat Oval is for positive pressure applications only.)

Major Dimension Duct Width	Spiral Seam Duct Gauge	Longitudinal Seam Duct Gauge	Gauges of Fittings
To 24"	24	20	20
26" to 42"	22	20	20
43" to 60"	20	18	18
61" to 70"	18	18	18
71" and up	18	16	16



UNIVERSAL SPIRAL AIR

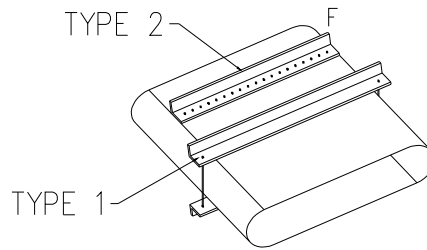
Manufacturer of Spiral, Oval and Rectangular Duct Systems

West Branch: 2735 West River Dr. NW, Walker, MI 49544
616-475-5905 Fax: 616-475-6433 Email: sales@usaduct.com

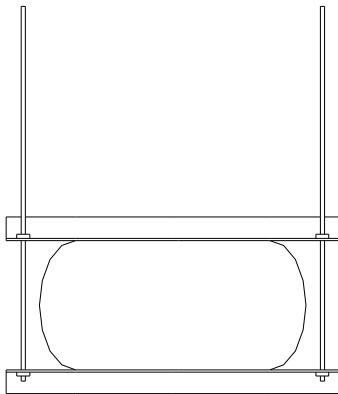
East Branch: 37050 Plymouth Rd., Livonia MI 48150
734-261-0410 Fax: 734-261-0435 Email: detsales@usaduct.com

Flat Oval Reinforcements

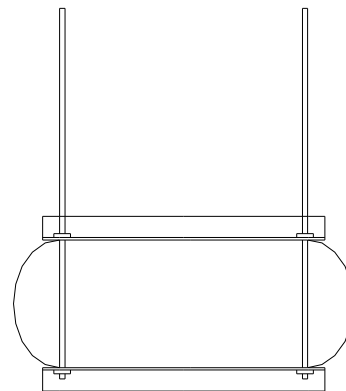
Oval reinforcements will be accomplished by supplying oval duct in 6 foot sections or smaller and using Accuflanges for oval sizes as specified on page 1 above. Oval gauges used will follow SMACNA, internal and external supports are added to pipe and fittings as required. Reinforcements are based on the pressure class specified in the specifications for job. If actual job conditions create higher pressures, USA is not responsible for additional reinforcements. Reinforcements are designed using the reinforcements typical of rectangular duct, using the flat section of oval as the width component. Reinforcements must be discussed prior to ordering oval duct.



Side View of Reinforcements



Type 1: Double Trapeze Reinforcement & Hanger



Type 2: Flat Span Reinforcement w/ Internal Tie Rods



UNIVERSAL SPIRAL AIR

Manufacturer of Spiral, Oval and Rectangular Duct Systems

West Branch: 2735 West River Dr. NW, Walker, MI 49544
616-475-5905 Fax: 616-475-6433 Email: sales@usaduct.com

East Branch: 37050 Plymouth Rd., Livonia MI 48150
734-261-0410 Fax: 734-261-0435 Email: detsales@usaduct.com

Flat Oval Connections

**** Flat Oval can be connected with all the same type of connectors as with round fittings. ****

- **Slip Connections**

Fittings and elbows are designed and built to slip inside spiral pipe. Fittings have a stop bead to locate fitting inside pipe. All pipe-to-pipe connections require a slip coupling that fits inside both mating sections. Connectors have a stop bead like fittings thus ensuring proper fit and seating. Fitting-to-fitting joints typically require a special slip connector that fits over the fitting ends; however, the customer may alternately specify the fittings be built to fit inside another fitting.

- **Flanged Connections**

Flanged connections are recommended for oval duct and fittings where flat sections of oval exceed 24 inches and /or air pressures cause need for reinforcements.

When flanged connections are required, the customer must specify at the time of order, the type of flange preferred. Fittings will be built to accommodate the flange type ordered. Accuflange or equivalents are typical, and most commonly used with most customers. Angle rings, although less common, are available. Flanges are typically supplied loose; however, installation can be arranged at the time of order.

All information subject to change as **Universal Spiral Air** continues to develop new products that **meet or exceed industry standards.**



UNIVERSAL SPIRAL AIR

12/28/2019

Oval

West Branch
2735 West River Dr NW
Walker, MI 49544
Ph: (616) 475-5905
Fax: (616) 475-6433
sales@usaduct.com

East Branch
37050 Plymouth Rd.
Livonia, MI 48150
Ph: (734) 261-0410
Fax: (734) 261-0435
detsales@usaduct.com

6' lengths std,

Sizing Chart

Minor Axis	5	6	8	10	12	14	16	18	20	22	24	26
												Long Seam
	13											
	(8.2)											
	16	15.5	14.25									
	(9.3)	(10)	(11.2)									
	19.25	18.5	17.5	16.25								
	(10)	(11)	(12.3)	(13.5)								
	22.25	21.75	20.5	19.5	18.25							
	(11.3)	(11.8)	(13.4)	(14.7)	(15.4)							
	25.5	25	23.75	22.5	21.5	20.25						
	(11.5)	(12.5)	(14.3)	(15.7)	(16.7)	(17.5)						
	28.5	28	27	25.75	24.5	23.5	22.25					
	(12)	(13.2)	(15.1)	(16.7)	(18)	(19)	(19.8)					
	31.75	31.25	30	29	27.75	26.5	25.5	24.25				
	(12.5)	(13.8)	(15.9)	(17.7)	(19.1)	(20.2)	(21)	(21.9)				
	35	34.25	33.25	32	31	29.75	28.5	27.5	26.25			
	(13)	(14.3)	(16.6)	(18.5)	(20.1)	(21.3)	(22.3)	(23.1)	(23.3)			
	38	37.5	36.25	35.25	34	33	31.75	30.5	29.5	28.25		
	(13.5)	(14.9)	(17.3)	(19.3)	(21)	(22.4)	(23.6)	(24.5)	(25.2)	(25.8)		
	41.25	40.5	39.5	38.25	37.25	36	35	33.75	32.5	31.5	30.25	
	(13.8)	(15.4)	(17.9)	(20.1)	(21.9)	(23.4)	(24.7)	(25.7)	(26.5)	(27.1)	(28.1)	
	44.25	43.75	42.5	41.5	40.25	39.25	38	37	35.75	34.5	33.5	32.25
	(14.3)	(15.9)	(18.5)	(20.8)	(22.7)	(24.4)	(25.8)	(26.9)	(27.9)	(28.7)	(29.4)	(30)
	47.5	47	45.75	44.5	43.5	42.25	41.25	40	39	37.75	36.5	35.5
	(14.5)	(16.3)	(19.1)	(21.5)	(23.5)	(25.3)	(26.8)	(28.1)	(29.1)	(30)	(30.8)	(31.5)
	50.5	50	49	47.75	46.5	45.5	44.25	43.25	42	41	39.75	38.5
	(15)	(16.7)	(19.7)	(22.1)	(24.2)	(26.1)	(27.7)	(29.1)	(30.3)	(31.3)	(32.2)	(32.8)
	53.75	53.25	52	51	49.75	48.5	47.5	46.25	45.25	44	43	41.75
	(15.4)	(17.2)	(20.2)	(22.7)	(25)	(26.9)	(28.6)	(30.1)	(31.4)	(32.5)	(33.5)	(34.3)
	57	56.25	55.25	54	53	51.75	50.5	49.5	48.5	47.25	46	45
	(15.7)	(17.6)	(20.2)	(23.3)	(25.6)	(27.7)	(29.5)	(31.1)	(32.5)	(33.7)	(34.7)	(35.6)
	60	59.5	58.25	57.25	56	55	53.75	52.5	51.5	50.25	49.25	48
	(16.2)	(18)	(21.1)	(23.9)	(26.3)	(28.4)	(30.3)	(32)	(33.5)	(34.8)	(35.9)	(36.9)
	63.25	62.5	61.5	60.25	59.25	58	57	55.75	54.5	53.5	52.25	51.25
	(16.5)	(18.3)	(21.3)	(24.4)	(26.9)	(29.1)	(31.1)	(32.8)	(34.4)	(35.8)	(37)	(38.2)
	66.25	65.75	64.5	63.5	62.25	61.25	60	59	57.75	56.5	55.5	54.25
	(17)	(18.7)	(22.1)	(25)	(27.5)	(29.8)	(31.8)	(33.7)	(35.3)	(36.8)	(38.1)	(39.5)
	69.5	69	67.75	66.5	65.5	64.25	63.25	62	61	59.75	58.5	57.5
	(17.5)	(19.1)	(22.5)	(25.5)	(28.1)	(30.5)	(32.6)	(34.5)	(36.2)	(37.8)	(39.2)	(40.5)
	72.5	72	71	69.75	68.5	67.5	66.25	65.25	64	63	61.75	60.5
	(18)	(19.4)	(23)	(26)	(28.7)	(31.3)	(33.3)	(35.3)	(37.1)	(38.7)	(40.1)	(41.5)
	75.75	75.25	74	73	71.75	70.5	69.5	68.25	67.25	66	65	63.75
	(18.3)	(20)	(23.3)	(26.4)	(29.2)	(31.7)	(34)	(36)	(37.9)	(39.6)	(41.1)	(42.5)
	79	78.25	77.25	76	75	73.75	72.5	71.5	70.25	69.25	68	67
	(18.5)	(20.5)	(23.7)	(26.9)	(29.7)	(32.2)	(34.6)	(36.6)	(38.7)	(40.5)	(42)	(43.5)
			80.25	79.25	78	77	75.75	74.5	73.5	72.25	71.25	70
			(24.5)	(27.3)	(30.3)	(32.9)	(35.3)	(37.4)	(39.4)	(41.3)	(42.9)	(44.5)
			82.25	81.25	80	79	77.75	76.5	75.5	74.25	73.25	72.25
			(28)	(31)	(33.4)	(35.9)	(38.1)	(40.2)	(42.1)	(43.8)	(45.5)	
			84.25	83.25	82	81	79.75	78.5	77.5	76.25	75.25	74.25
			(32)	(35)	(37)	(38.8)	(40.5)	(42.8)	(44.6)	(46.8)		
					85.25	84	83	81.75	80.5	79.5	78.5	77.5
					(38)	(40)	(41.5)	(43.6)	(45.4)	(47.5)		

Numbers in brackets denote equivalent round duct for equal friction loss



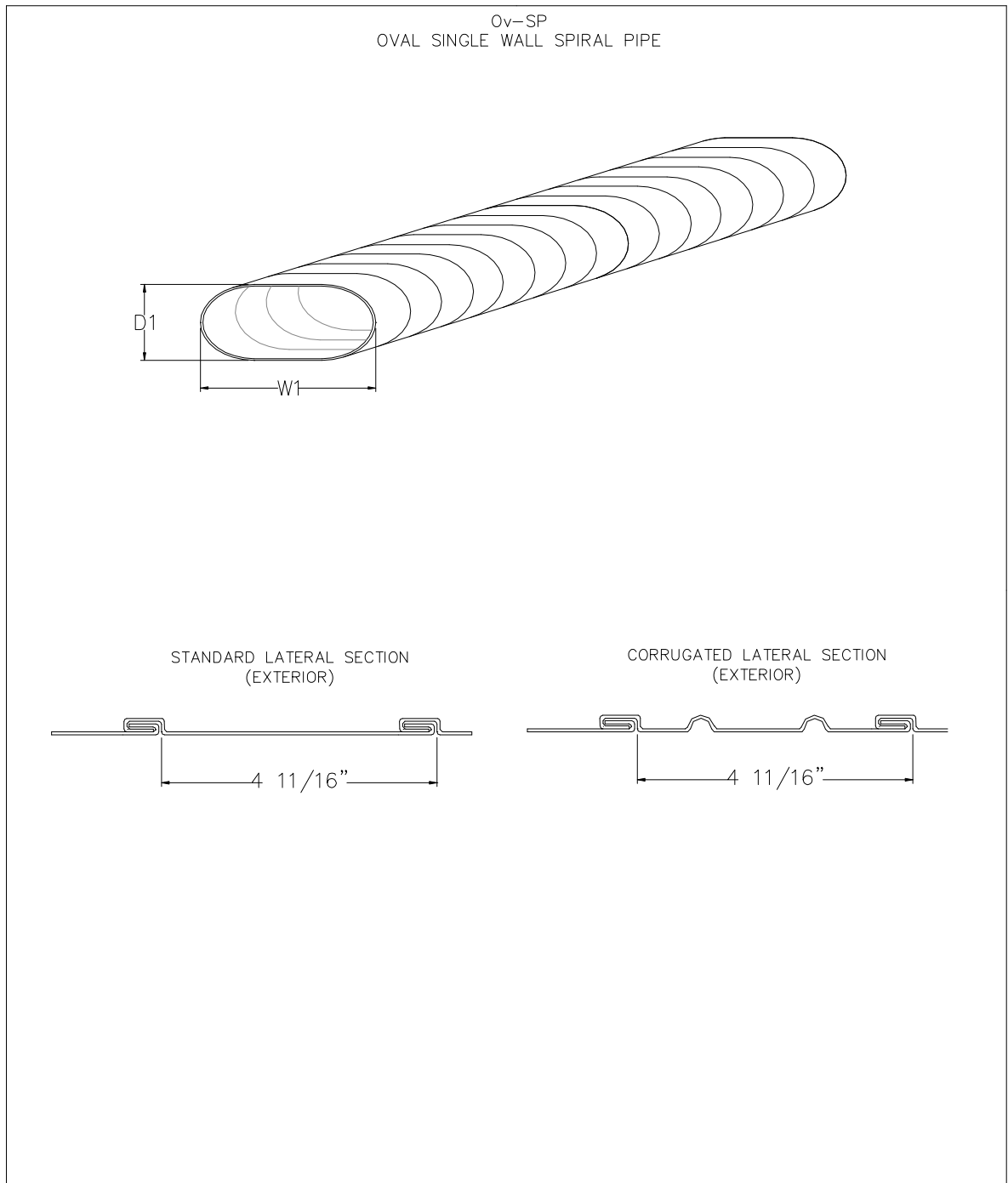
UNIVERSAL SPIRAL AIR

Manufacturer of Spiral, Oval and Rectangular Duct Systems

West Branch: 2735 West River Dr NW Walker MI 49544
616-475-5905 Fax: 616-475-6433 Email: sales@usa-duct.net

East Branch: 37050 Plymouth Rd., Livonia MI 48150
734-261-0410 Fax: 734-261-0435 Email: detsales@usa-duct.net

OVAL: SINGLEWALL





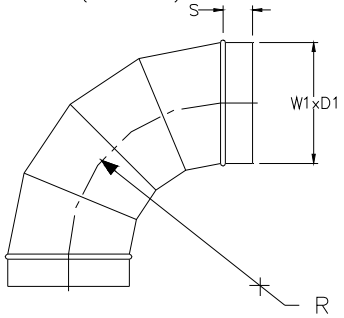
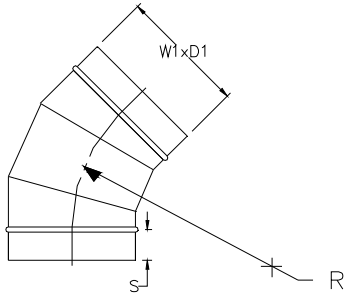
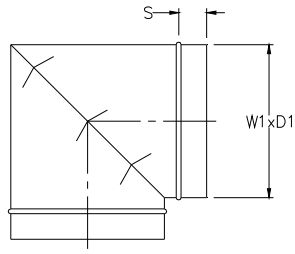
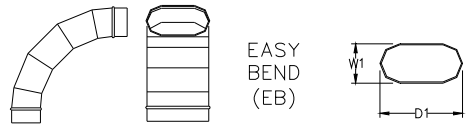
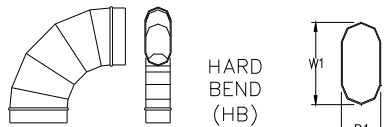
UNIVERSAL SPIRAL AIR

Manufacturer of Spiral, Oval and Rectangular Duct Systems

West Branch: 2735 West River Dr NW Walker MI 49544
 616-475-5905 Fax: 616-475-6433 Email: sales@usa-duct.net

East Branch: 37050 Plymouth Rd., Livonia MI 48150
 734-261-0410 Fax: 734-261-0435 Email: detsales@usa-duct.net

OVAL: SINGLEWALL

<p>Ov-E90 1.0 or 1.5 OVAL ELBOW 90° HARD BEND (SHOWN)</p>  <p style="margin-top: 20px;">S=2" R=1.0xW1 ANY ANGLE</p> <p style="margin-left: 150px;">0°-35° - 2 PIECES 36°-71° - 3 PIECES 72°-90° - 4 PIECES</p>	
<p>Ov-E45 1.0 or 1.5 OVAL ELBOW 45° HARD BEND (SHOWN)</p>  <p style="margin-top: 20px;">S=2" R=1.0xW1 ANY ANGLE</p> <p style="margin-left: 150px;">0°-35° - 2 PIECES 36°-71° - 3 PIECES 72°-90° - 4 PIECES</p>	<p>Ov-E90MT OVAL MITERED ELBOW 90°</p>  <p style="margin-top: 20px;">S=4" THROAT MINIMUM 6"+S 3" DIAMETER & OVER 90° TYPICAL</p>
<p>OVAL DUAL ELBOWS ARE AVAILABLE IN ANY ANGLE IN "EASY BEND" AND "HARD BEND"</p>	
 <p>EASY BEND (EB)</p> <p>TYPICALLY VERTICAL</p>	 <p>HARD BEND (HB)</p> <p>TYPICALLY HORIZONTAL</p>



UNIVERSAL SPIRAL AIR

Manufacturer of Spiral, Oval and Rectangular Duct Systems

West Branch: 2735 West River Dr NW Walker MI 49544
 616-475-5905 Fax: 616-475-6433 Email: sales@usa-duct.net

East Branch: 37050 Plymouth Rd., Livonia MI 48150
 734-261-0410 Fax: 734-261-0435 Email: detsales@usa-duct.net

OVAL: SINGLEWALL

<p>Ov-RED OVAL CONCENTRIC REDUCER</p> <p>$S=2''$ $L=W1-W2+16$</p>	<p>Ov-ECC-RED OVAL ECCENTRIC REDUCER</p> <p>$S=2''$ $L=W1-W2+20$</p>
<p>Ov-OFST OVAL OFFSET</p> <p>$S=2''$ $L=(Z+Z) + W1$ $Z=CUSTOMER\ SPECIFIED$</p>	



UNIVERSAL SPIRAL AIR

Manufacturer of Spiral, Oval and Rectangular Duct Systems

West Branch: 2735 West River Dr NW Walker MI 49544
 616-475-5905 Fax: 616-475-6433 Email: sales@usa-duct.net

East Branch: 37050 Plymouth Rd., Livonia MI 48150
 734-261-0410 Fax: 734-261-0435 Email: detsales@usa-duct.net

OVAL: SINGLEWALL

<p>Ov-T90 OVAL TEE</p> <p>S=2" L=W3+6"</p> <p>CALL TO CONFIRM DIMENSIONS WHEN W1>36"</p>	<p>Ov-T90C OVAL TEE CONICAL</p> <p>S=2" L=W3+10"</p> <p>CALL TO CONFIRM DIMENSIONS WHEN W1>36"</p>
<p>Ov-T90X OVAL TEE, CROSS</p> <p>S=2" L=LARGEST TAP+6"</p> <p>CALL TO CONFIRM DIMENSIONS WHEN W1>36"</p>	<p>Ov-T90CX OVAL TEE, CONICAL, CROSS</p> <p>S=2" L=LARGEST TAP+10"</p> <p>CALL TO CONFIRM DIMENSIONS WHEN W1>36"</p>



UNIVERSAL SPIRAL AIR

Manufacturer of Spiral, Oval and Rectangular Duct Systems

West Branch: 2735 West River Dr NW Walker MI 49544
 616-475-5905 Fax: 616-475-6433 Email: sales@usa-duct.net

East Branch: 37050 Plymouth Rd., Livonia MI 48150
 734-261-0410 Fax: 734-261-0435 Email: detsales@usa-duct.net

OVAL: SINGLEWALL

<p>Ov-T45 OVAL LATERAL TEE</p> <p>$S=2''$ $L=W3(1.5)+6''$</p> <p>CALL TO CONFIRM DIMENSIONS WHEN $W1>36''$</p>	<p>Ov-T45C OVAL LATERAL TEE CONICAL</p> <p>$S=2''$ $L=W3(1.5)+10''$</p> <p>CALL TO CONFIRM DIMENSIONS WHEN $W1>36''$</p>
<p>Ov-T45X OVAL LATERAL TEE, CROSS</p> <p>$S=2''$ $L=LARGEST\ TAP(1.5)+6''$</p> <p>CALL TO CONFIRM DIMENSIONS WHEN $W1>36''$</p>	<p>Ov-T45XC OVAL LATERAL TEE, CONICAL, CROSS</p> <p>$S=2''$ $L=LARGEST\ TAP(1.5)+10''$</p> <p>CALL TO CONFIRM DIMENSIONS WHEN $W1>36''$</p>



UNIVERSAL SPIRAL AIR

Manufacturer of Spiral, Oval and Rectangular Duct Systems

West Branch: 2735 West River Dr NW Walker MI 49544
 616-475-5905 Fax: 616-475-6433 Email: sales@usa-duct.net

East Branch: 37050 Plymouth Rd., Livonia MI 48150
 734-261-0410 Fax: 734-261-0435 Email: detsales@usa-duct.net

OVAL: SINGLEWALL

<p>Ov-TLL OVAL TEE, LOW LOSS</p> <p> $S=2''$ $Z=D2 \times 1.5$ $L=Z(1.5)+6''$ $H=D2/2$ (Minimum 3") </p> <p>CALL TO CONFIRM DIMENSIONS WHEN $A>36''$</p>	
<p>Ov-TLLX OVAL TEE, LOW LOSS, CROSS</p> <p> $S=2''$ $Z1=D2 \times 1.5$ $Z2=D3 \times 1.5$ $H1=D2/2$ $H2=D3/2$ $L=LARGEST\ TAP(1.5)+6''$ </p> <p>CALL TO CONFIRM DIMENSIONS WHEN $A>36''$</p>	



UNIVERSAL SPIRAL AIR

Manufacturer of Spiral, Oval and Rectangular Duct Systems

West Branch: 2735 West River Dr NW Walker MI 49544
 616-475-5905 Fax: 616-475-6433 Email: sales@usa-duct.net

East Branch: 37050 Plymouth Rd., Livonia MI 48150
 734-261-0410 Fax: 734-261-0435 Email: detsales@usa-duct.net

OVAL: SINGLEWALL

<p>Ov-Y45 OVAL Y-BRANCH 45°</p> <p>S=2" CALL TO CONFIRM DIMENSIONS WHEN W1>36"</p>	<p>Ov-Y45R OVAL REDUCING Y-BRANCH 45°</p> <p>S=2" CALL TO CONFIRM DIMENSIONS WHEN W1>36"</p>
<p>Ov-Y90 OVAL Y-BRANCH 90°</p> <p>S=2" CALL TO CONFIRM DIMENSIONS WHEN W1>36"</p>	<p>Ov-BHTEE OVAL BULLHEAD TEE W/ VANES</p> <p>S=2" L=W1+10" CALL TO CONFIRM DIMENSIONS WHEN W1>36" WITH OR WITHOUT TURNING VANES</p>



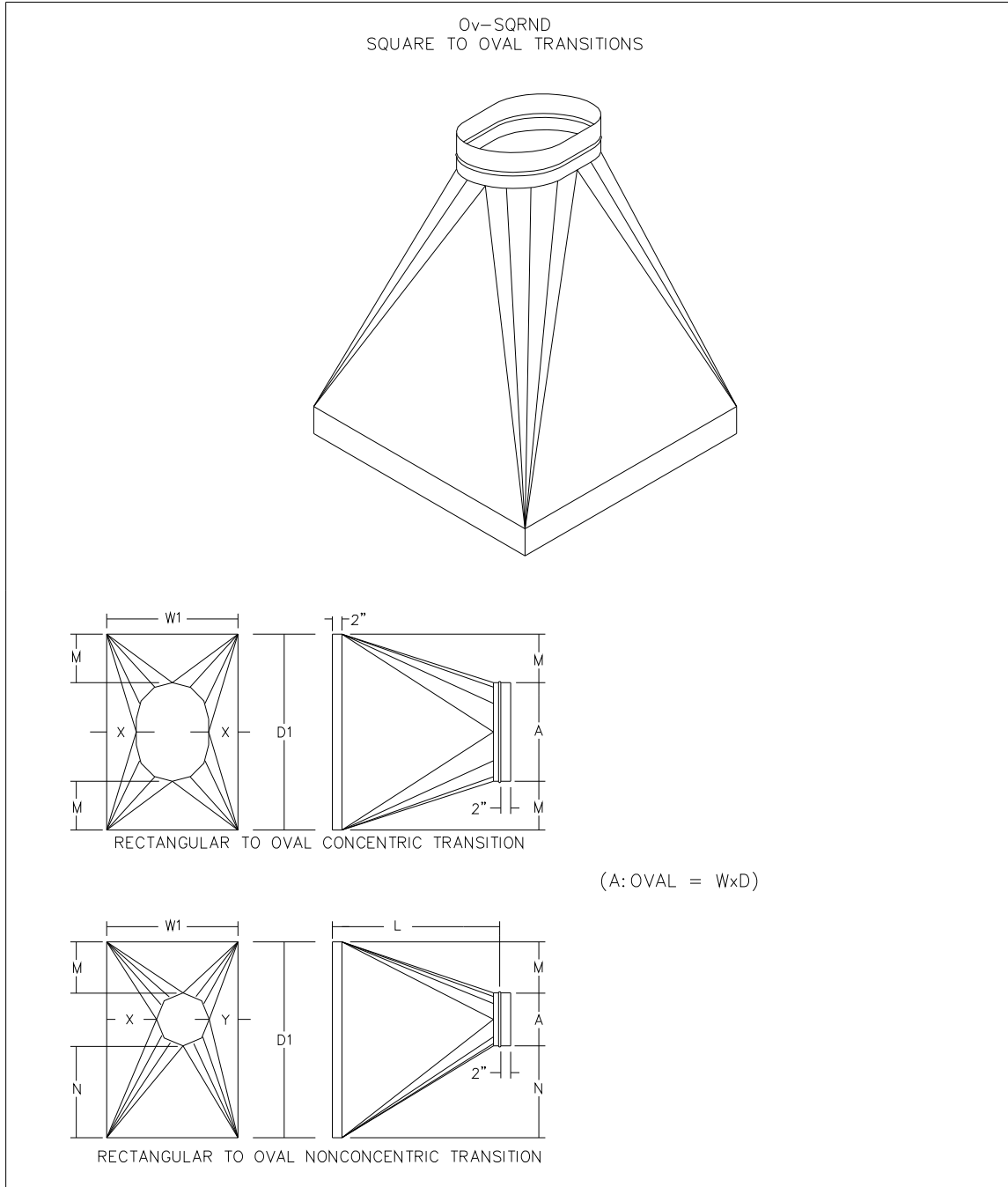
UNIVERSAL SPIRAL AIR

Manufacturer of Spiral, Oval and Rectangular Duct Systems

West Branch: 2735 West River Dr NW Walker MI 49544
 616-475-5905 Fax: 616-475-6433 Email: sales@usa-duct.net

East Branch: 37050 Plymouth Rd., Livonia MI 48150
 734-261-0410 Fax: 734-261-0435 Email: detsales@usa-duct.net

OVAL: SINGLEWALL





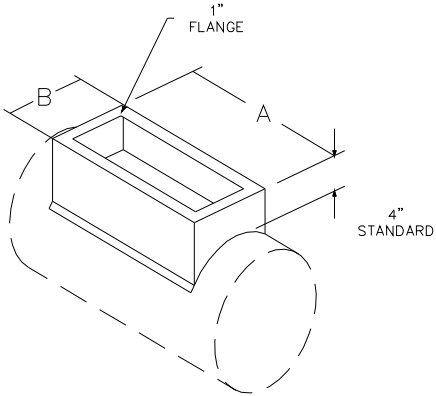
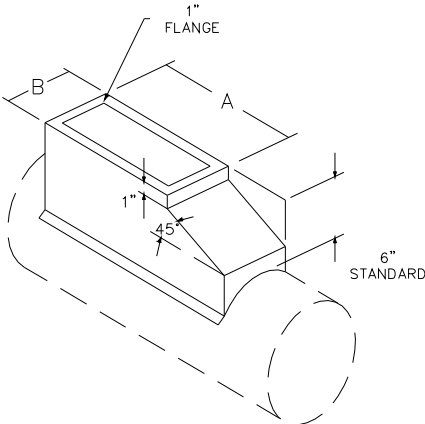
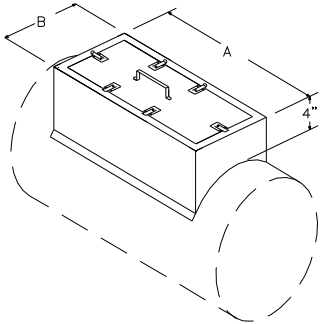
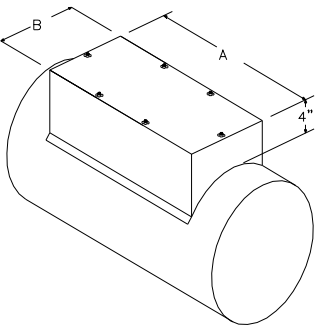
UNIVERSAL SPIRAL AIR

Manufacturer of Spiral, Oval and Rectangular Duct Systems

West Branch: 2735 West River Dr NW Walker MI 49544
 616-475-5905 Fax: 616-475-6433 Email: sales@usa-duct.net

East Branch: 37050 Plymouth Rd., Livonia MI 48150
 734-261-0410 Fax: 734-261-0435 Email: detsales@usa-duct.net

OVAL: SINGLEWALL

<p>REGB REGISTER BOX</p>  <p>1" FLANGE</p> <p>4" STANDARD</p> <p>SPECIFY ID or OD WHEN ORDERING BUILT 7/8" TO ALLOW FOR CLEARANCE FOR REGISTER FIT</p>	<p>REGB45 REGISTER BOX 45°</p>  <p>1" FLANGE</p> <p>45°</p> <p>6" STANDARD</p> <p>SPECIFY ID or OD WHEN ORDERING BUILT 7/8" TO ALLOW FOR CLEARANCE FOR REGISTER FIT</p>
<p>AD-CLIPS ACCESS DOOR W/ CLIPS ON REGISTER BOX</p>  <p>4"</p>	<p>AD-STUDS ACCESS DOOR W/ STUDS ON REGISTER BOX</p>  <p>4"</p>



UNIVERSAL SPIRAL AIR

Manufacturer of Spiral, Oval and Rectangular Duct Systems

West Branch: 2735 West River Dr NW Walker MI 49544
 616-475-5905 Fax: 616-475-6433 Email: sales@usa-duct.net

East Branch: 37050 Plymouth Rd., Livonia MI 48150
 734-261-0410 Fax: 734-261-0435 Email: detsales@usa-duct.net

OVAL: SINGLEWALL

<p>Ov-SAD90 OVAL SADDLE TAP 90°</p> <p>S=2"</p>	<p>O-SAD90C OVAL CONICAL SADDLE TAP 90°</p> <p>S=2"</p>
<p>O-SAD45 OVAL SADDLE TAP 45°</p> <p>S=2" L=W1(1.414)+2"</p>	



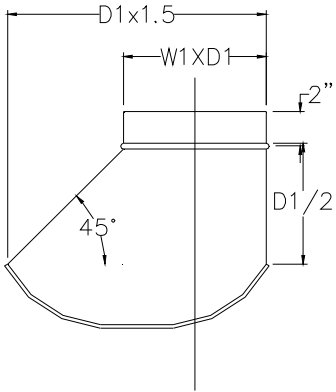
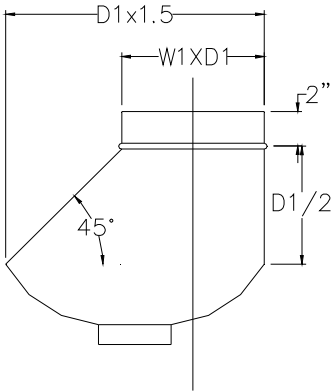
UNIVERSAL SPIRAL AIR

Manufacturer of Spiral, Oval and Rectangular Duct Systems

West Branch: 2735 West River Dr NW Walker MI 49544
616-475-5905 Fax: 616-475-6433 Email: sales@usa-duct.net

East Branch: 37050 Plymouth Rd., Livonia MI 48150
734-261-0410 Fax: 734-261-0435 Email: detsales@usa-duct.net

OVAL: SINGLEWALL

<p>OV-SHTP-C OVAL SHOE TAP - CONTINUOUS FLANGE</p> 	<p>OV-SHTP-F OVAL SHOE TAP - FLAP STYLE</p> 



UNIVERSAL SPIRAL AIR

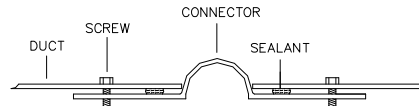
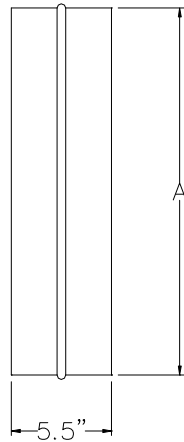
Manufacturer of Spiral, Oval and Rectangular Duct Systems

West Branch: 2735 West River Drive NW, Walker MI 49544
616-475-5905 Fax: 616-475-6433 Email: sales@usaduct.com

East Branch: 37050 Plymouth Rd., Livonia MI 48150
734-261-0410 Fax: 734-261-0435 Email: detsales@usaduct.com

ACCESSORIES

C PIPE CONNECTOR



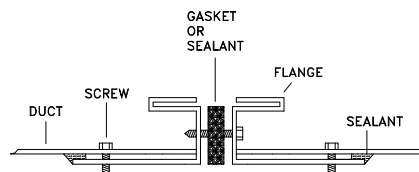
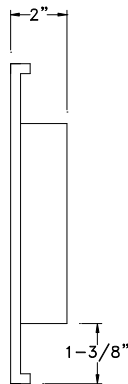
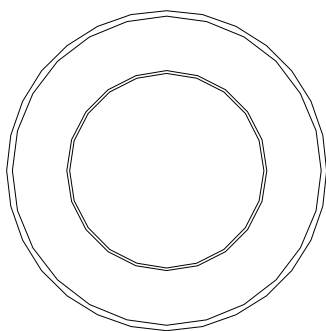
EASIEST TO INSTALL
REQUIRES ONLY SHEET METAL SCREWS AND SEALANT
AVAILABLE IN ROUND OR OVAL

APPLICATION – COMMERCIAL

SIZES: 4"–80" (ROUND)

SIZES: 4"–30" (MINOR AXIS OVAL)

ACF ACCUFLANGE



REINFORCED SLIP CONNECTOR
REQUIRES ONLY SHEET METAL SCREWS AND SEALANT
GASKET APPLIED TO INNER RING FACE
AVAILABLE IN ROUND OR OVAL

ADVANTAGE – SIGNIFICANT REINFORCING

APPLICATION – COMMERCIAL, EXPOSED COMMERCIAL, AND INDUSTRIAL

SIZES: 10"–94" (ROUND)

SIZES: 8"–72" (MINOR AXIS OVAL)



UNIVERSAL SPIRAL AIR

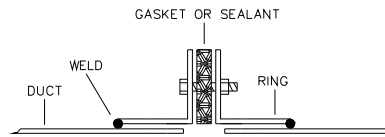
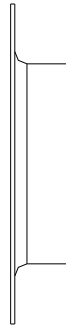
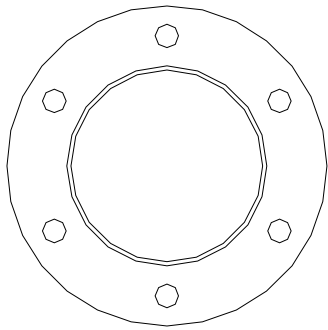
Manufacturer of Spiral, Oval and Rectangular Duct Systems

West Branch: 2735 West River Drive NW, Walker MI 49544
616-475-5905 Fax: 616-475-6433 Email: sales@usaduct.com

East Branch: 37050 Plymouth Rd., Livonia MI 48150
734-261-0410 Fax: 734-261-0435 Email: detsales@usaduct.com

ACCESSORIES

AR
ANGLE RING



HEAVY-DUTY, BOLTED FLANGE CONNECTOR
INSTALLED WITH FULL WELD
GASKET APPLIED TO INNER RING FACE
AVAILABLE IN ROUND OR OVAL
AVAILABLE IN SINGLE- OR DOUBLE-WALL

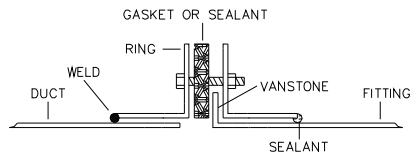
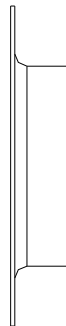
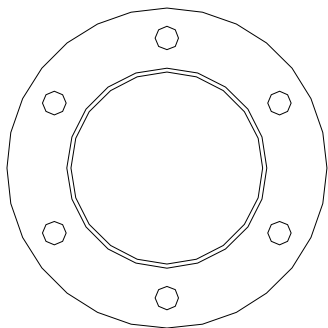
ADVANTAGE - SIGNIFICANT REINFORCING
USE AS INTERMEDIATE REINFORCEMENT OR HANGER SUPPORT

APPLICATIONS - INDUSTRIAL, LARGE-DIAMETER COMMERCIAL

SIZES: 3"-72" (ROUND)

SIZES: 3"-72" (MINOR AXIS OVAL)

AR-V
ANGLE RING - VANSTONE



HEAVY-DUTY, BOLTED FLANGE CONNECTOR
FACTORY-INSTALLED
GASKET ON INNER RING FACE
AVAILABLE IN ROUND OR OVAL

ADVANTAGE - SIGNIFICANT REINFORCING
EASE OF BOLT HOLE ALIGNMENT

APPLICATION - INDUSTRIAL, LARGE-DIAMETER COMMERCIAL

SIZES: 3"-72" (ROUND)

SIZES: 3"-72" (MINOR AXIS OVAL)



UNIVERSAL SPIRAL AIR

Manufacturer of Spiral, Oval and Rectangular Duct Systems

West Branch: 2735 West River Drive NW, Walker MI 49544
 616-475-5905 Fax: 616-475-6433 Email: sales@usaduct.com

East Branch: 37050 Plymouth Rd., Livonia MI 48150
 734-261-0410 Fax: 734-261-0435 Email: detsales@usaduct.com

ACCESSORIES

<p>BM SPUN BELLMOUTH FLANGE</p> <p>Oval Sizes: use W1xD1 instead of A</p>	<p>ACLR A-COLLAR</p> <p>Oval Sizes: use W1xD1 instead of A</p>
<p>O-HGR-H OVAL HALF HANGER</p> <p>AVAILABLE SIZES: IN ALL DIAMETERS</p>	



UNIVERSAL SPIRAL AIR

Manufacturer of Spiral, Oval and Rectangular Duct Systems

West Branch: 2735 West River Drive NW, Walker MI 49544
616-475-5905 Fax: 616-475-6433 Email: sales@usaduct.com

East Branch: 37050 Plymouth Rd., Livonia MI 48150
734-261-0410 Fax: 734-261-0435 Email: detsales@usaduct.com

